

Maichel-Angelo® Isolator

Tapping & Future Point of Isolation

800-221-332 • 221 N. County Line Road, Mustang OK 73064

Services provided in the United States by **International Flow, Inc.**

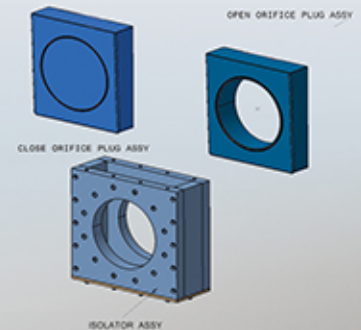
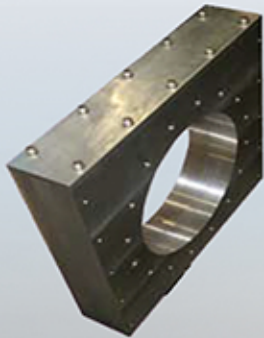
Oklahoma City, OK • Houston, TX • Nashville, TN • Dover, DE • Anchorage, AK • Murrieta, CA
20" and Larger Tapping Valves that provide Butterfly and Plug Valve connections

Future Isolation Points and connections without leaving a valve.

Provided in 150psi. working pressure / 200 psi. test

Long-Term NSF coating on carbon steel, 304 & 316 Solid Stainless steel

Patent # 9,004,095, 10,512,950, 10,612,672 and other patents pending



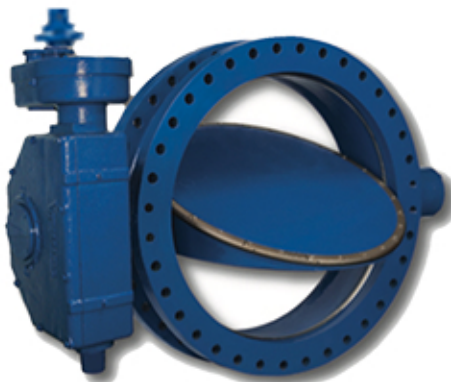
The **Maichel-Angelo® Isolator** provides a dependable and long-lasting isolation point without leaving a permanent valve. The Isolator is similar in size to a standard flange and the laying length is compact, making it easily adaptable for your growing system. Our patented design allows internal surfaces to be free of corrosive fluid, giving them very long life. Compared to standard sewage valves which are known to perform poorly, offer a short life span and are expensive to replace when in a pressurized system. The **Maichel-Angelo®** offers longevity, performance and provides a backup when that time arises. The Isolator offers the ability to replace internal plates while pressurized, one to allow flow, another to restrict flow or one to isolate!

Maichel-Angelo® Isolator at this time offer 20" through 54". These can be installed during construction for many purposes or can be added to an existing system to perform hot-tapping connections. Designed for Hot tapping butterfly valves, non-round plug-valves or making connections without leaving a permanent valve.

Service Locations: Oklahoma City, OK • Houston, TX • Nashville, TN • Dover, DE • Anchorage, AK • Murrieta, CA

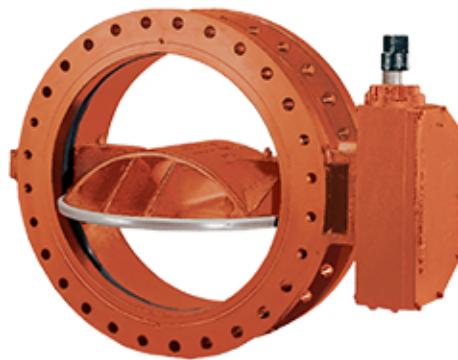
Contact: Maichel-Angelo® Isolator - "Where Critical is just Routine" 800-221-3332

**Val-Matic® AWWA
C504 Butterfly *Tapping Valve**



https://www.valmatic.com/Portals/0/brochures/BFV_2000.pdf

**Pratt® LINESEAL III AWWA
C504 Butterfly *Tapping Valve**



<https://www.muellercompany.com/water-works/valves/butterfly-valves/linesal-iii-class-150b>

**Nibco® Industrial Light
Industrial Process
MSS SP-67 Butterfly
*Tapping Valve**

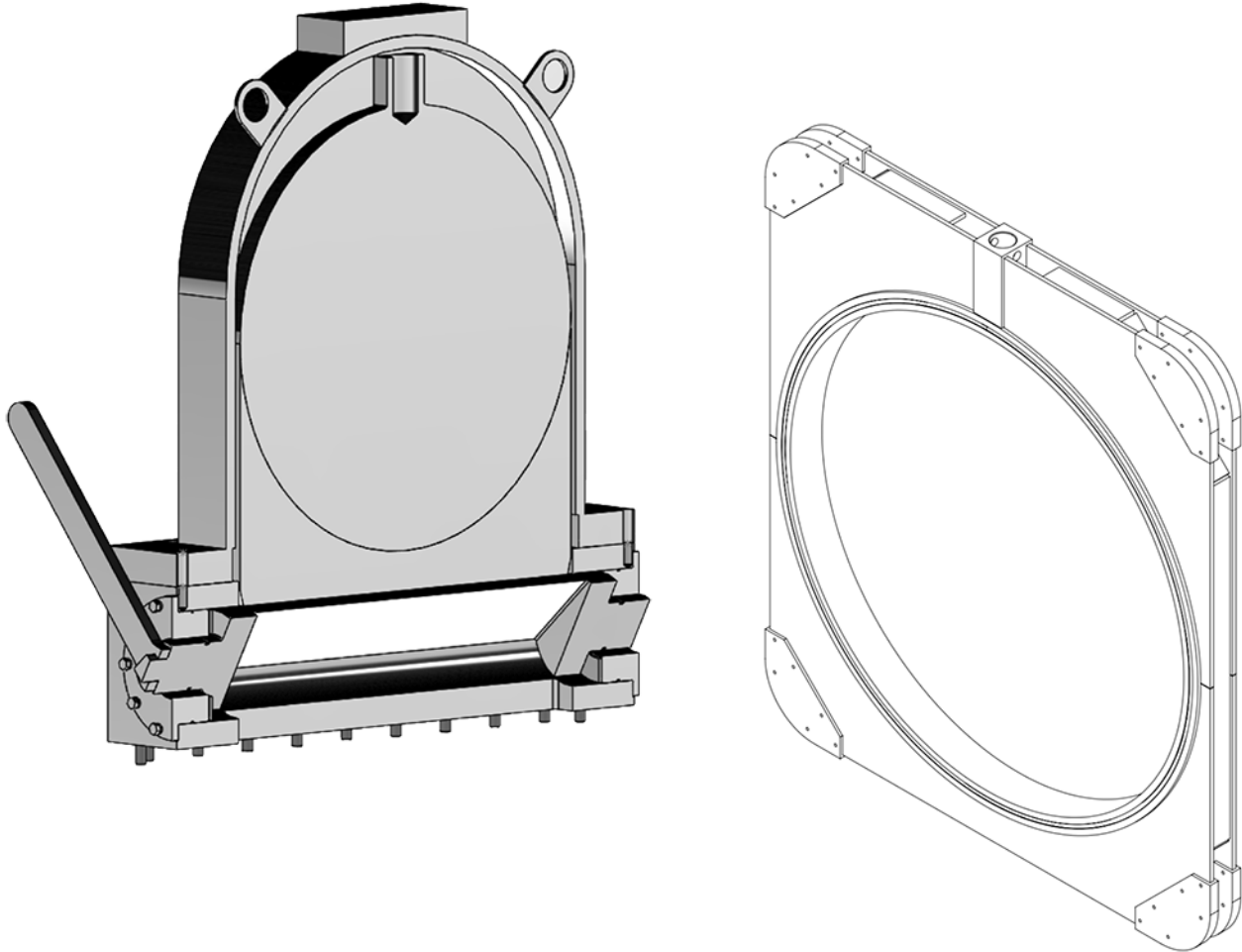


<https://www.nibco.com/resources/ProductSubmittalDocs/LD2x01ngBF.pdf>

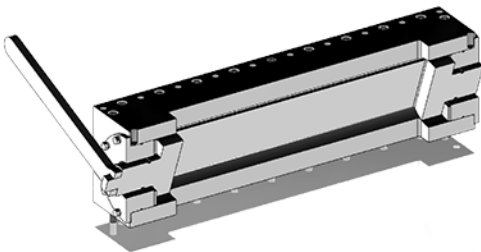
Maichel-Angelo* prefers these valves for Wet & Hot Tapping



Maichel-Angelo® Temporary bonnet and gate are used to isolate the housing after the tap is made, allowing a Butterfly valve to be installed. This bonnet and Gate are then used to install a permanent “Long-term” coated orifice plate that protects the internal cavity from corrosion and debris for many years until re-isolation may be required again.

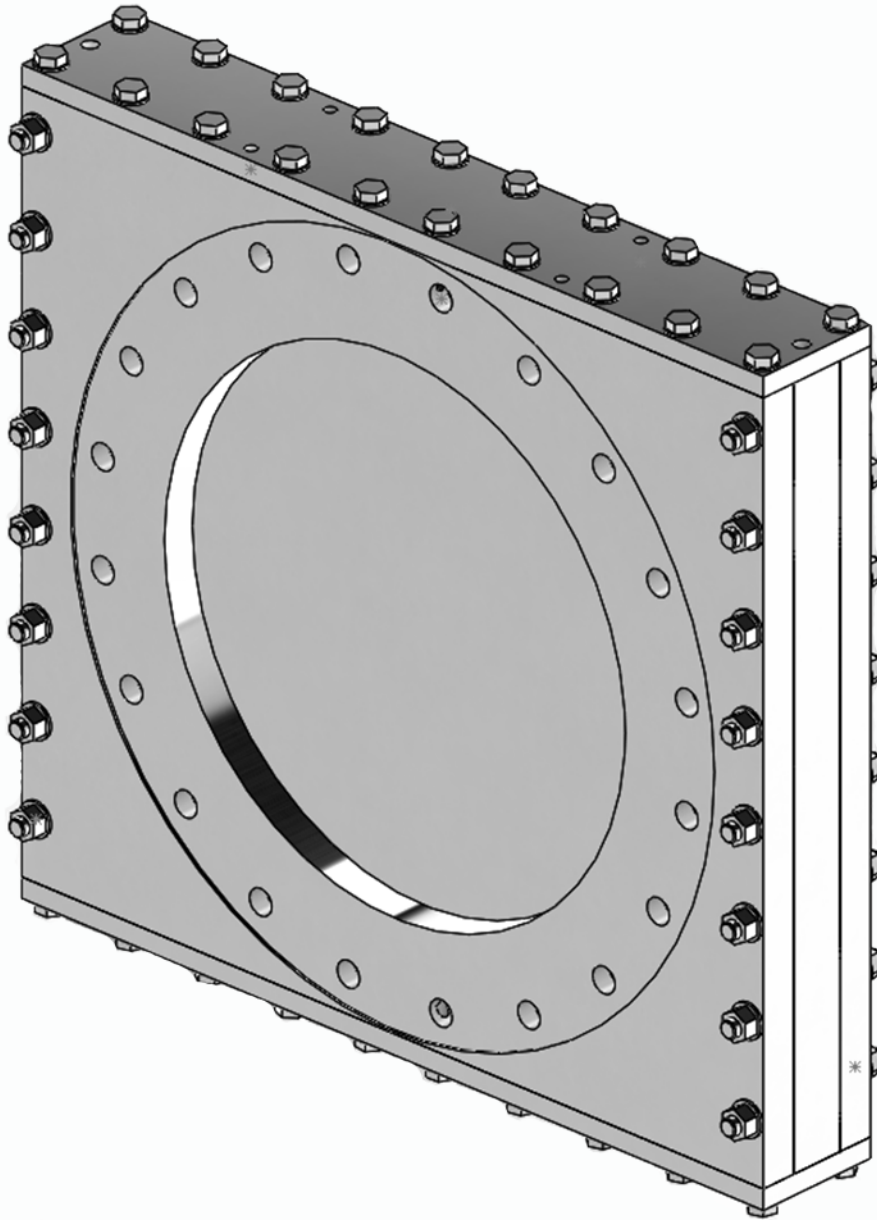


Maichel-Angelo® Orifice Plate is our patented member that includes Teflon skid plates used to protect the “Long-term coating while the Orifice Plate is inserted and retracted.



Maichel-Angelo® Temporary-Isolator is removed after services are performed.

The pressure rated cover is installed over the sealed Orifice plate installed in the belly until the need to re-isolate may arise.



Maichel-Angelo® Coatings meet NSF, & provide the most advanced coatings & plating available on the market that provide long term protection on all Maichel-Angelo® internal and external parts.

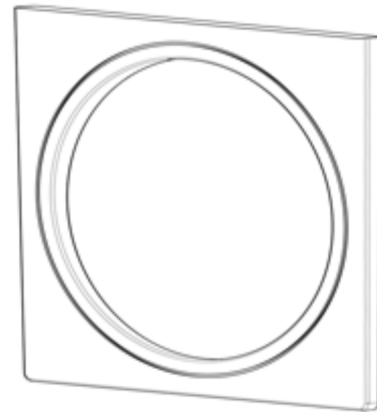
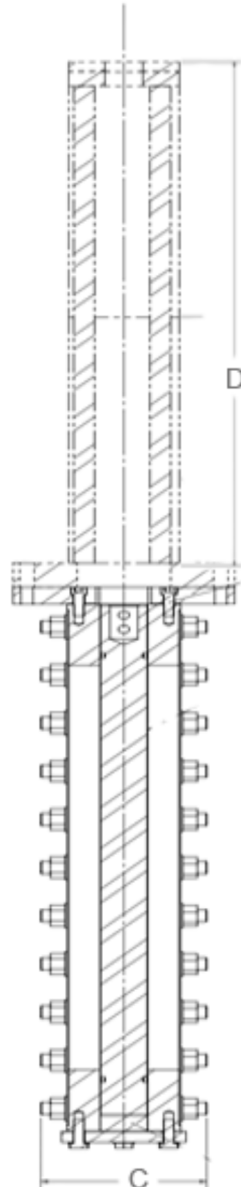
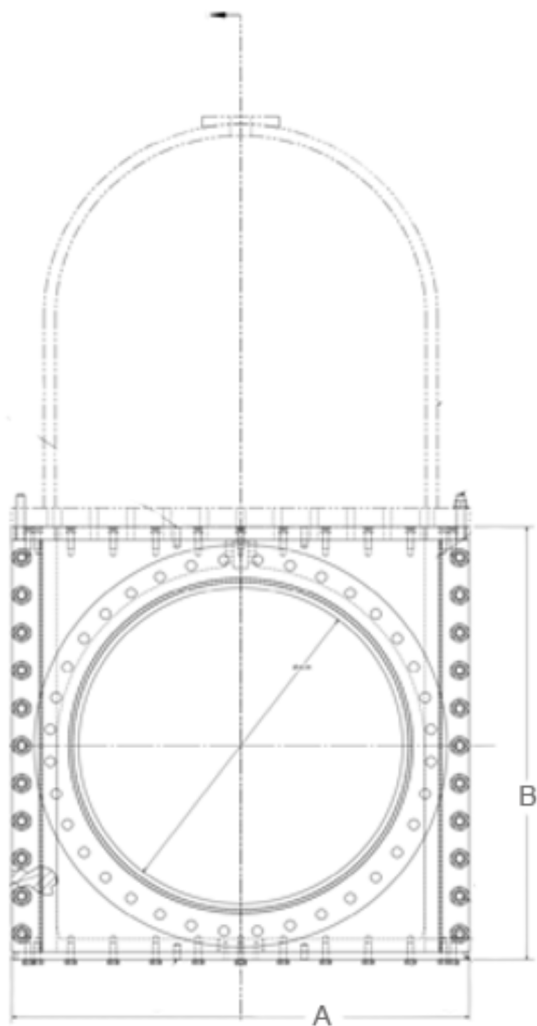
Maichel-Angelo® Isolator Specifications

FOR TAPPING BUTTERFLY VALVES, PLUG VALVES, CHECK VALVES, BACK FLOW PREVENTERS OR "NO VALVES"

ISOLATOR150

Size	A-Face	B-Height	C-Width	D-Height
24"	37.00	37.00	5.75	30
30"	42.75	42.75	6.58	38
36"	49.25	49.25	7.40	48
42"	59.24	57.63	7.25	57
48"	67.00	64.00	8.25	64
54"	74.00	72.00	9.00	72

60" & Larger, higher pressure and higher temperature ratings please contact our office.



REMOVABLE ORIFICE PLATE

Body:

Fusion applied epoxy coating AWWA Std.
 Nickel & other plating available
 Electro Deposited Fluoropolymer
 Optional: manufactured from
 Stainless steel or exotic materials

Bolts:

Electro Deposited Fluoropolymer
 Stainless Steel
 Nickel & other plating available

Orifice Plate:

Fusion applied epoxy coating AWWA Std.
 Nickel & other plating available
 Electro Deposited Fluoropolymer
 Stainless steel

AIS, exotic materials and plating available

800-221-3332

www.maichel-angelo.com

PERMANENT WATERWAY
 WORKING PRESSURE: 150 WOG
 WATERWAY TEST PRESSURE: 200 PSI.